

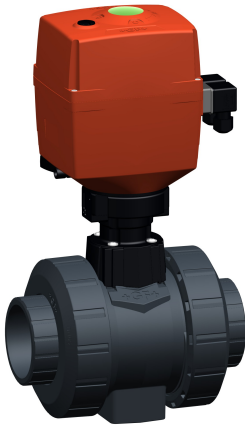
Ball valve type 182 PVC-U 24V
Manual emergency override
Solvent cement sockets Inch ASTM
Incl. 2 threaded valve

Model:

- Voltage 24V,
- Factory set control range 90°<
- Heating element, position feedback (Open/Close/ Middle)
- Integrated stainless steel mounting inserts

Option:

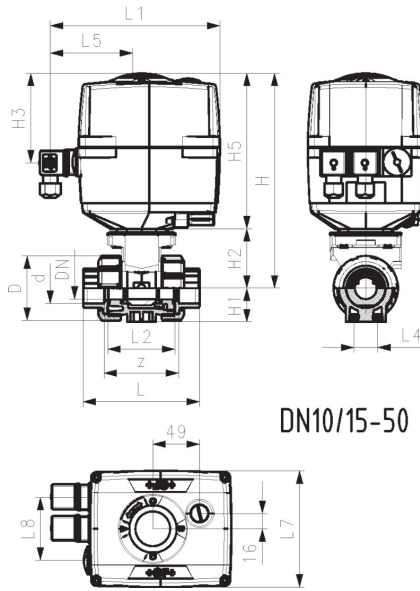
- Other valve and actuator configurations available
- Optional accessories: Fail-safe return unit, Monitoring board, Position controller, Profibus DP board



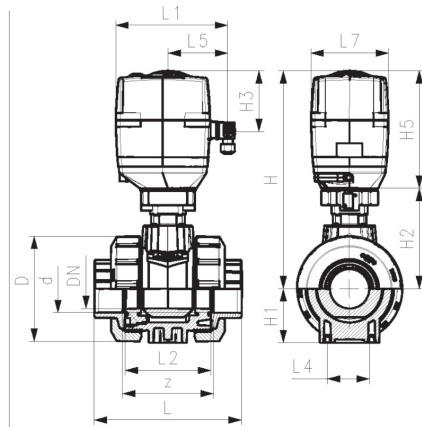
Size (inch)	DN (mm)	PN (bar)	kv-value ($\Delta p=1$ bar) (l/min)	EA	EPDM Code	Weight (kg)	FKM Code	Weight (kg)
3/8	10	10	70	EA25	199 182 022	2.100	199 182 032	2.100
1/2	15	10	185	EA25	199 182 023	2.474	199 182 033	2.100
3/4	20	10	350	EA25	199 182 024	2.200	199 182 034	2.200
1	25	10	700	EA25	199 182 025	2.300	199 182 035	2.300
1 1/4	32	10	1000	EA25	199 182 026	2.600	199 182 036	2.600
1 1/2	40	10	1600	EA25	199 182 027	3.000	199 182 037	3.000
2	50	10	3100	EA25	199 182 028	3.800	199 182 038	3.800
2 1/2	65	10	5000	EA45	199 182 029	7.400	199 182 039	7.400
3	80	10	7000	EA120	199 182 030	9.800	199 182 040	9.800
4	100	10	11000	EA120	199 182 031	13.900	199 182 041	13.900

Size (inch)	D (mm)	H (mm)	H1 (mm)	H2 (mm)	H3 (mm)	H5 (mm)	L (mm)	L1 (mm)	L2 (mm)	L4 (mm)	L5 (mm)	L7 (mm)	z (mm)
3/8	50	231	27	64	94	167	105	180	56	25	97	122	67
1/2	50	231	27	64	94	167	105	180	56	25	97	122	61
3/4	58	240	30	73	94	167	121	180	65	25	97	122	70
1	68	240	36	73	94	167	133	180	71	25	97	122	76
1 1/4	84	251	44	84	94	167	154	180	85	45	97	122	90
1 1/2	97	251	51	84	94	167	164	180	89	45	97	122	94

Size (inch)	D (mm)	H (mm)	H1 (mm)	H2 (mm)	H3 (mm)	H5 (mm)	L (mm)	L1 (mm)	L2 (mm)	L4 (mm)	L5 (mm)	L7 (mm)	z (mm)
2	124	273	64	106	94	167	183	180	101	45	97	122	107
2 ½	166	346	85	156	94	190	233	180	136	70	98	122	144
3	200	358	105	168	94	190	254	180	141	70	98	122	151
4	238	365	123	175	94	190	301	180	164	120	98	122	174



DN10/15-50



DN65-100